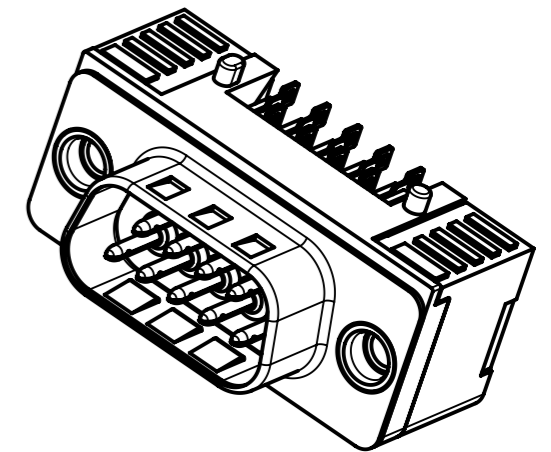
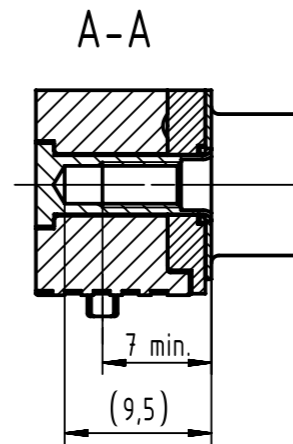
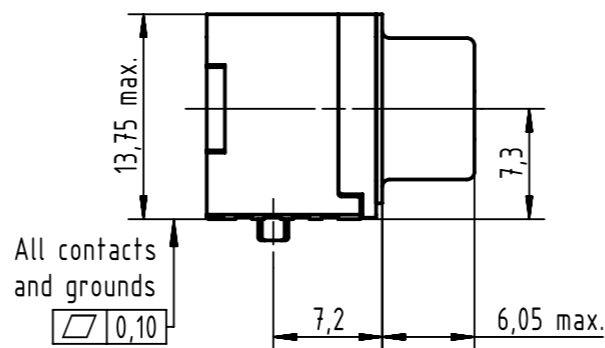
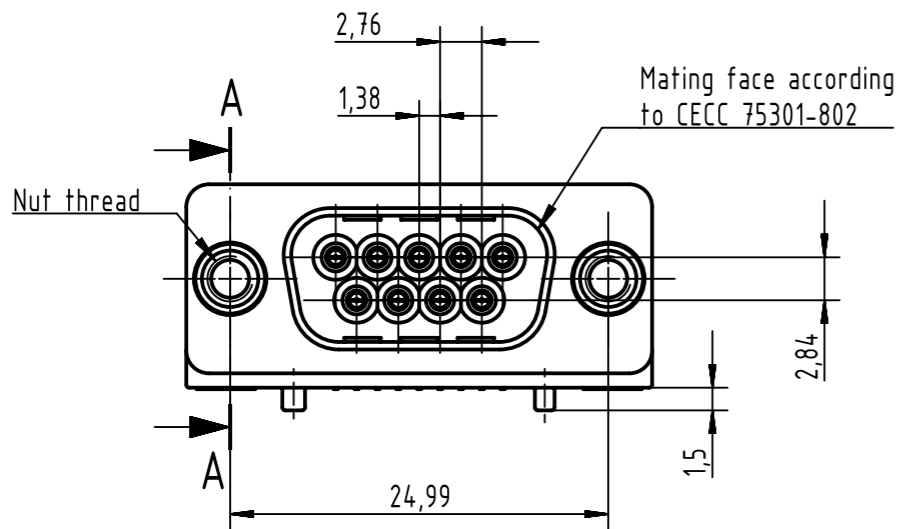
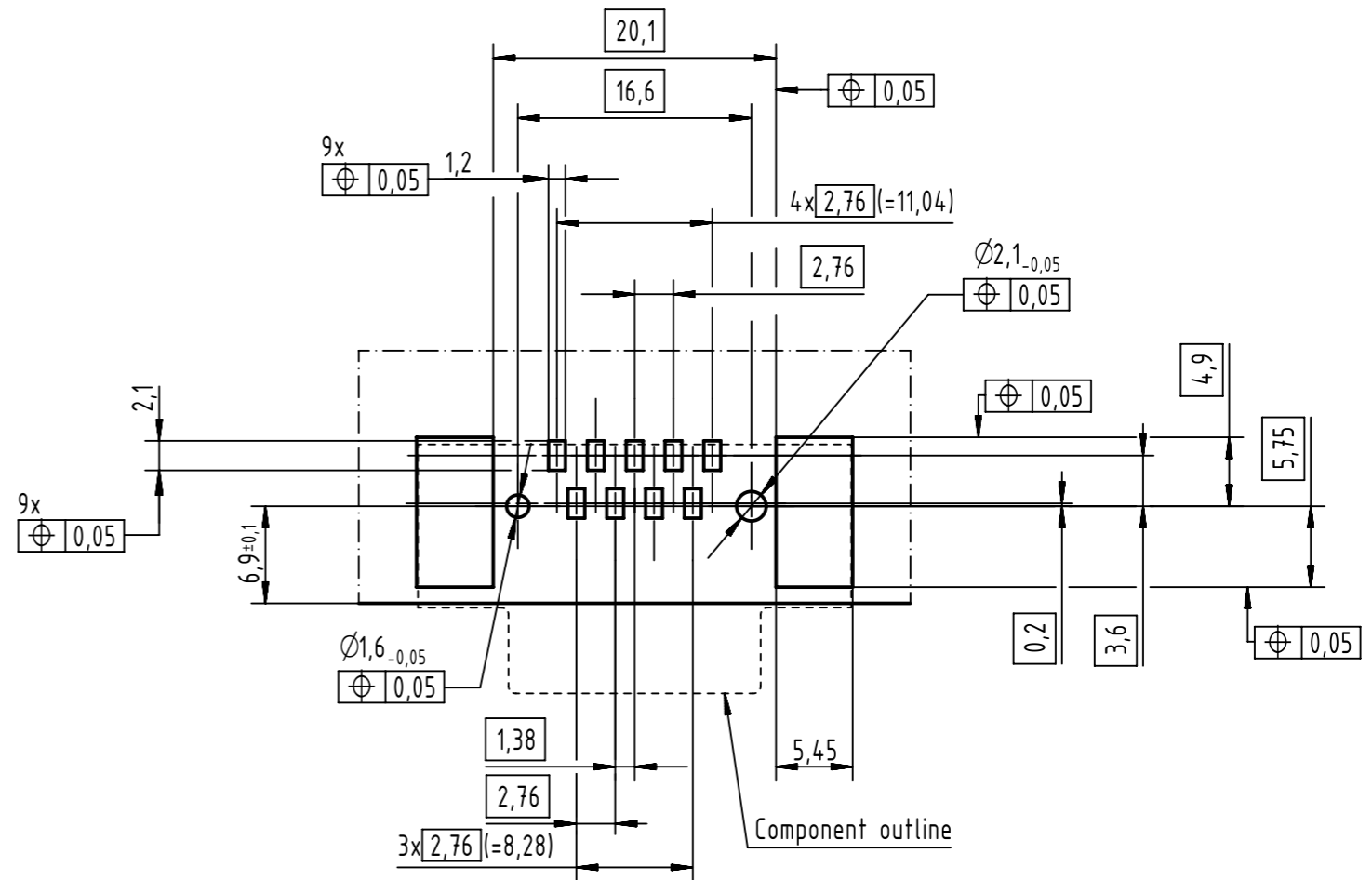


PCB layout, mounting side (thickness 1,6 min.)



0955 166 6812 333	2	4-40 UNC	Black insulator	Samples
0955 166 3812 741	1	4-40 UNC	Black insulator	Reel Packaging (140 connectors)
0955 166 6812 741	2			
0955 166 7812 741	3			
0955 166 3811 741	1	M3	Black insulator	Reel Packaging (140 connectors)
0955 166 6811 741	2			
0955 166 7811 741	3			
Part number	PL	Thread	Index designation	

Max. Temperature: 260°C during 10 seconds  
Find further technical information on DS 09550200301

	All rights reserved Department EL PD	Created by ZHUANGJ	Inspected by LUOK	Standardisation HOFFMANN	Date 2018-10-17	State Final Release	All Dimensions in mm Original Size DIN A3	Scale 2:1	Free size tol.	Ref.
							HARTING Electronics GmbH D-32339 Espelkamp	Title D-Sub angled STD 9-pole male with screw nut	Type TB	Number 0955166X81X